

Visual monitoring of the measurement process



Meter self-diagnostics



Expand measurement range



Comfortable operation



Comfortable controls



Automatic mirror cooling

**Eximp Measurement
Private Limited** Product
Division has **Partnered** with
Vympel to provide Innovative
Gas Quality and Due Point
Analyzers

Cong Prima2M



FAS-W



Hygrovision Mini



Hygrovision BL

Moisture Analyzers

Vympel

Gold Standard

HYGROVISION-BL

- Measure time reduction
- Self-contained operation
- Convenient data transfer
- Up to 5 years of data storage

HYGROVISION-MINI

- Visual monitoring of the measurement process
- Comfortable operation
- Comfortable controls
- Automatic mirror cooling



FAS-W

- Increased sensitivity of the optic system
- Explosion-proofing degree 1Ex d IIC T5 X

CONG PRIMA-2M

- Three measurement Modes



PRODUCTS



Who we are

We have supplied dew point analyzers to major projects, individual end-users and everything in between, all over the world.

Overview



FAS SW

Manual visual dew point meter



Hygrovision-mini



Hygrovision BL

Automatic dew point analyzer with visual measurement option



CONG-Prima-2M

FAS W

Automatic on-line dew point Analyzer

Portable Hygrometers

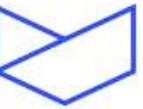


Automatic measurement of water and hydrocarbon dew points with an option for manual-visual measurement.



Thanks to a built-in rechargeable battery, the analyzer can be used as a portable automatic or manual-visual instrument.

Hygrometer installation options



VYMPPEL

Submersible versions of the CONG Prima-2M and FAS-W

As previously mentioned, the gas delivery element of the CP-2M and FAS-W are not a part of the optical registration system. This, along with their light weight (6/4kg), means that installation directly on the pipeline is possible, using a sample probe with a shut-off valve. This saves money on gas preparation and delivery systems.

a)

- ✓ Submersible version with filtration at the end of the sampling probe; the depth of immersion can be changed and the filter can be replaced under pressure. Gas venting to the atmosphere is required.



filter

b)

- ✓ Submersible version with a filtration unit above the shut-off valve. Gas venting to the atmosphere is required. For pure gases, if content of condensable hydrocarbons is low, the FAS-W can be used without filtration.



filter

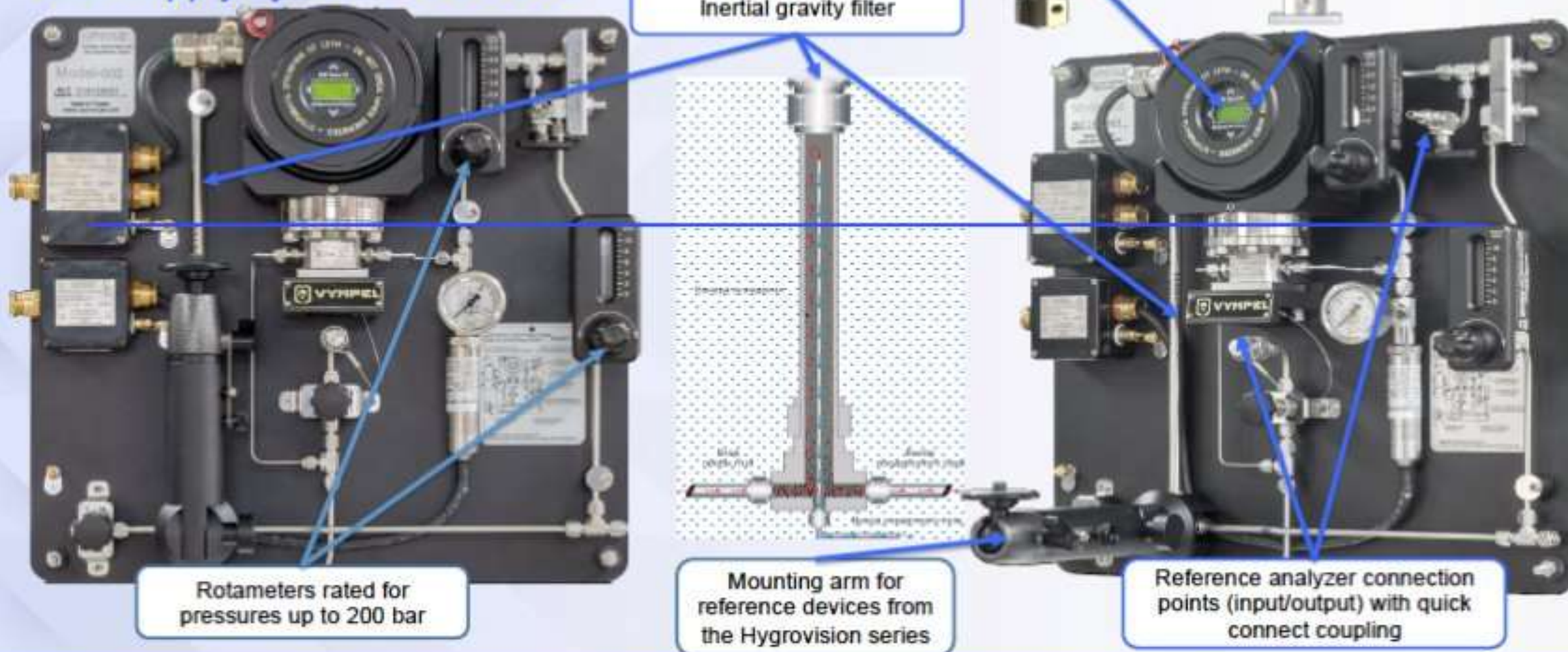
c)

- ✓ Submersible version without filtration, for use with purified gases. No gas vent to the atmosphere is required.



Hygrometer systems

Gas supply system – SGA 002



Rotameters rated for pressures up to 200 bar

Mounting arm for reference devices from the Hygrovision series

Reference analyzer connection points (input/output) with quick connect coupling

Visual registration principle

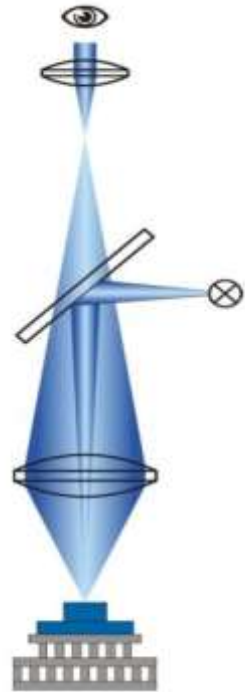
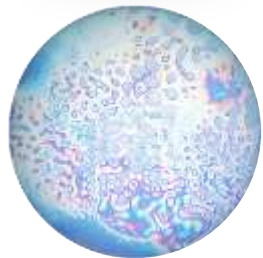
Two different illumination sources for the mirror



Dry mirror



Hydrocarbon film



Vertical illumination

(for the visual registration of hydrocarbon film)



Dry mirror



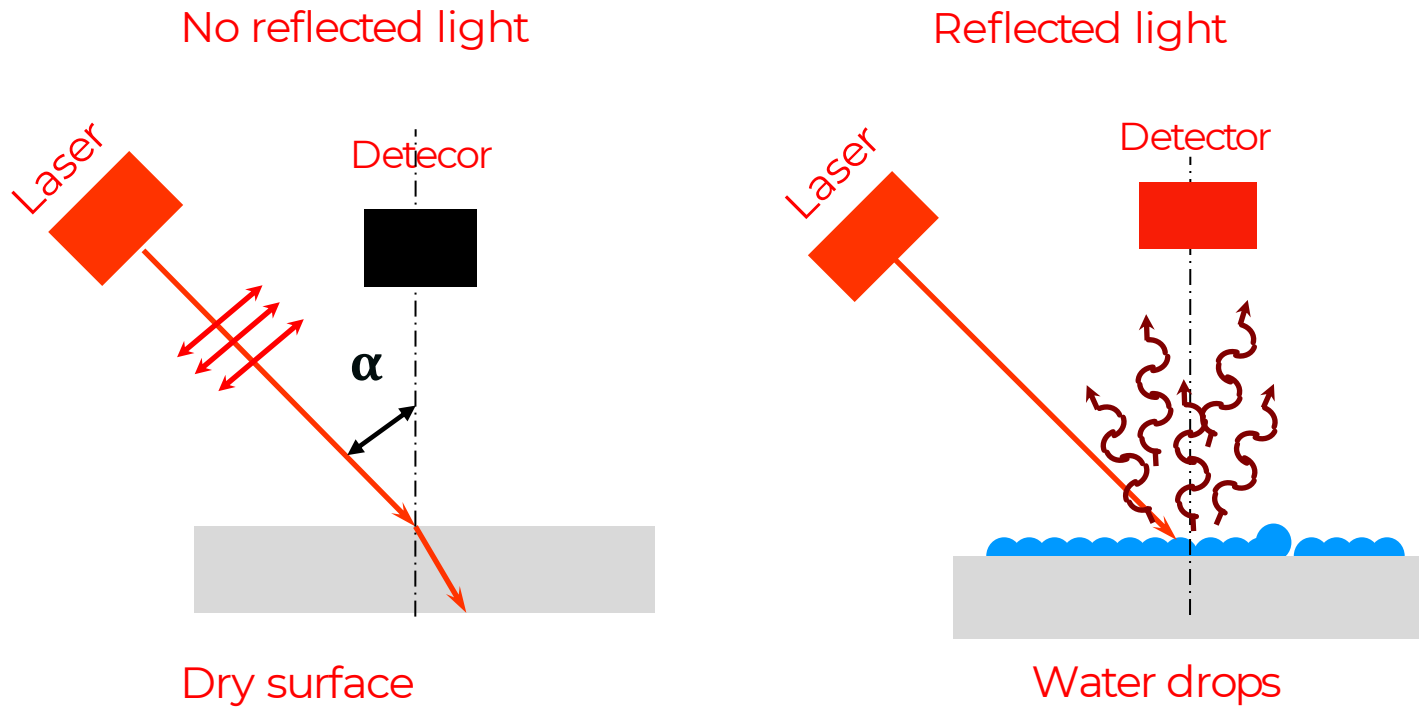
Water drops



Lateral illumination

(for the visual registration of water droplets)

Principle of the water dew point measurement



Key characteristics of this measurement technique

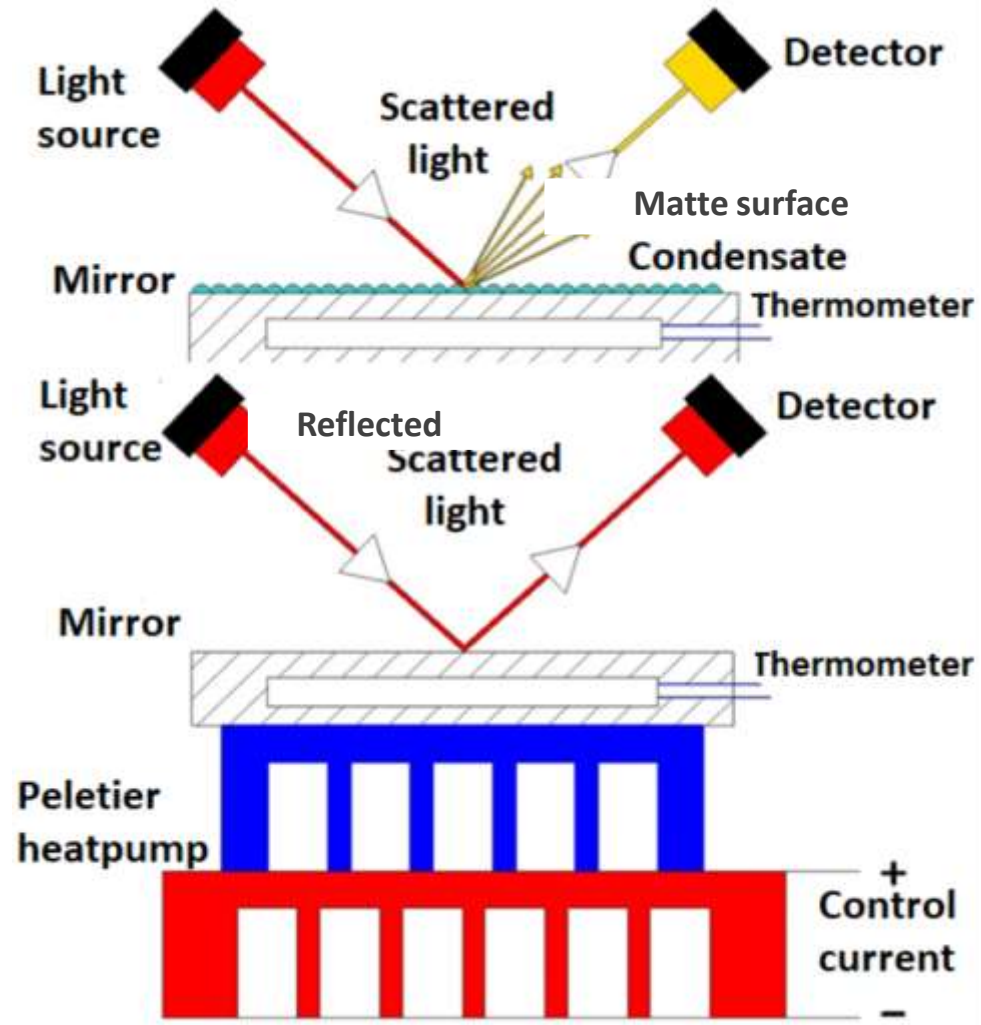
- ✓ Material of the mirror is dielectric
- ✓ Light source is laser
- ✓ Light beam is at Brewster's angle for the specific mirror material



Patented principle of the water dew point measurement Chilled mirror

Total refraction is an effect that occurs when a vertical polarized wave encounter the interface between media at Brewster's angle. In that case there's no reflected wave.

Traditional measurement of hydrocarbon condensation temperature



Dew point meter Hygrovision-mini

Brief technical data



Main features	Optical visual system with two-channel mirror illumination
	Semi-automatic control of mirror cooling/heating
Measurement range	- 50°C...T _{amb}
Operating pressure	Up to 100 bar
Accuracy	±1 °C
Self-contained operation, for at least	12 hours
Weight	4 kg



Water and hydrocarbon dew point transducer CONG-Prima-2M

Brief technical data

Automatic mode of dew point measurement	
Accuracy	± 1.0 (0.5) $^{\circ}\text{C}$
Measurement range	-30 (-60*)... T_{amb} $^{\circ}\text{C}$
Pressure	160 bar
Interface	4-20mA , RS-485 Modbus RTU
Power supply	15W
Weight	7kg
Calibration in the HC measurement mode can be accomplished by changing the optical system's sensitivity to hydrocarbon condensation	

*with supplemental cooling system



Dew point analyzer Hygrovision BL

Brief technical data

Automatic and manual measurement modes	
Accuracy	$\pm 1.0^{\circ}\text{C}$ $\pm 0.5^{\circ}\text{C}$ $\pm 0.25^{\circ}\text{C}^*$
Measurement range	- 30°C ... T_{amb} Optional - 60°C^{**}
Pressure	Up to 30MPa Up to 16MPa
Interface	RS-485 Modbus RTU
Power supply	15W
Self-contained operation	4...6 hours
Weight	7,5kg



- * — **Special calibration**
- ** — **using supplemental cooling system**



THANK YOU

Eximp Measurement Private Limited

Our Contact

Contact us today to find your perfect solution.



Registered Office

426, Mandakini Enclave
Alaknanda, New Delhi
South Delhi-110019



Phone & Email

+91 020 27654694
empl@eximpinc.com



Operations

Sector-10 Plot No 145 &146,
PCNTDA, Bhosari
Pune-411026, Maharashtra
India



Projects Office

3rd Floor, Plot No. 17, Sangath
Bungalows, Off Sama Savali
Road, Vadodara – 390008